

هيئة الاتصالات وتقنية المعلومات
Communications and Information Technology Commission



IXSA

Click to edit Master subtitle style

Dr. Ibraheem S. Al-Furaih

ifuraih@citc.gov.sa

9 April 2009



Background

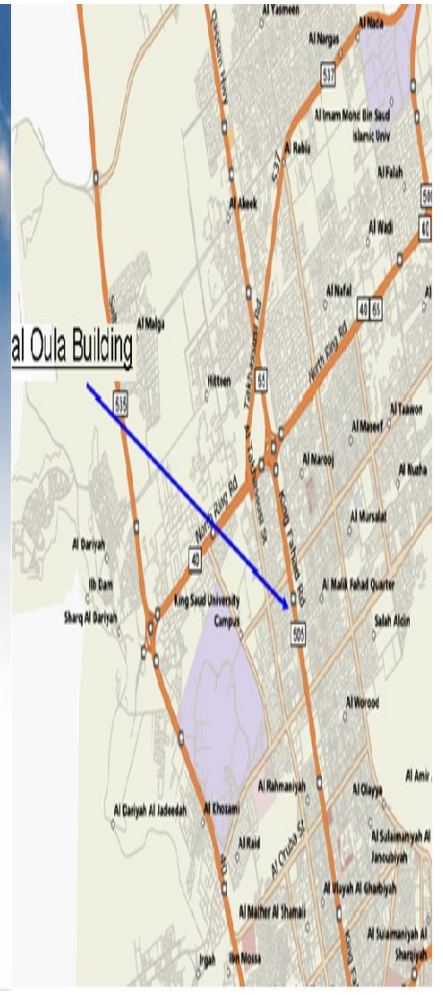
Saudi National Internet eXchange

Summary

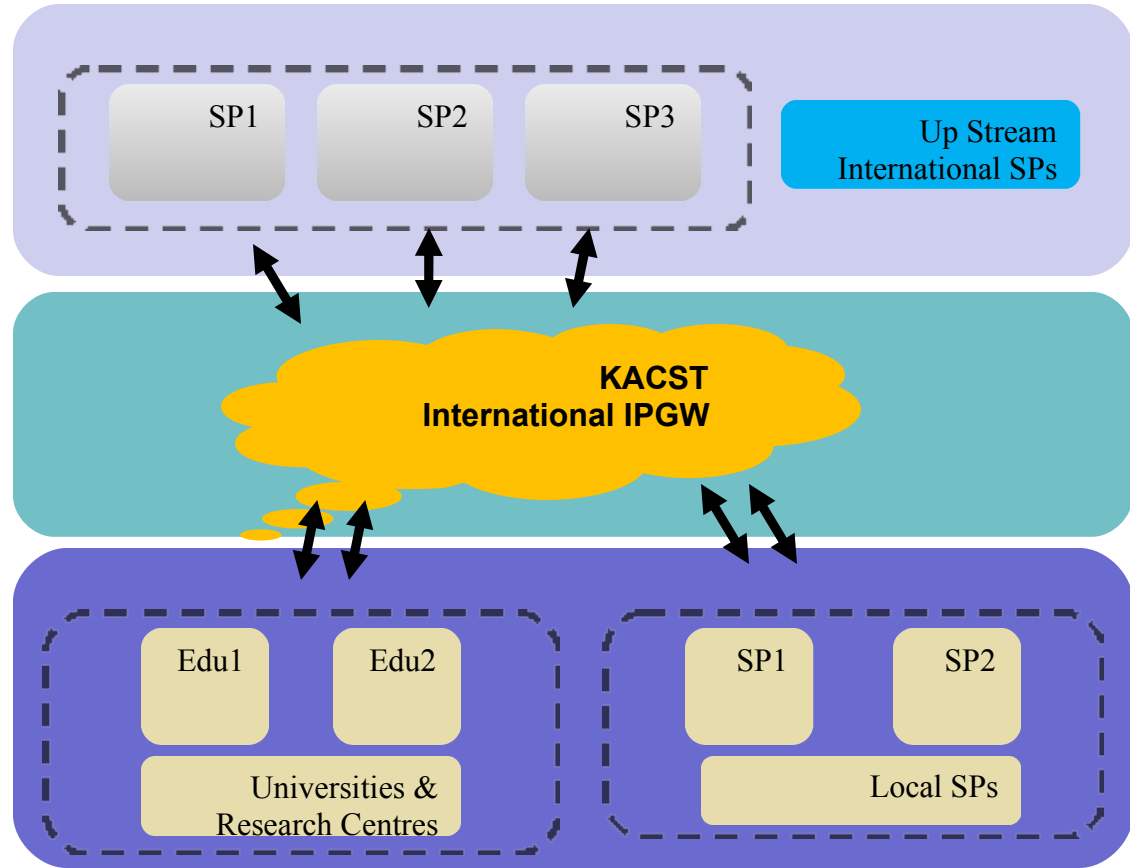
National Internet Exchange - Why NIXP?



- Multiple international internet gateways in Saudi Arabia;
- 9 providers could have international Internet gateways;
- No direct exchange** of traffic between those providers;
- Currently, routing part of National Internet traffic goes through **international hops**;
- Detailed **assessment** was done by CITC ;
- Workshops were conducted with Service Providers;
- NIXP Project;



Internet Structure - before 2004

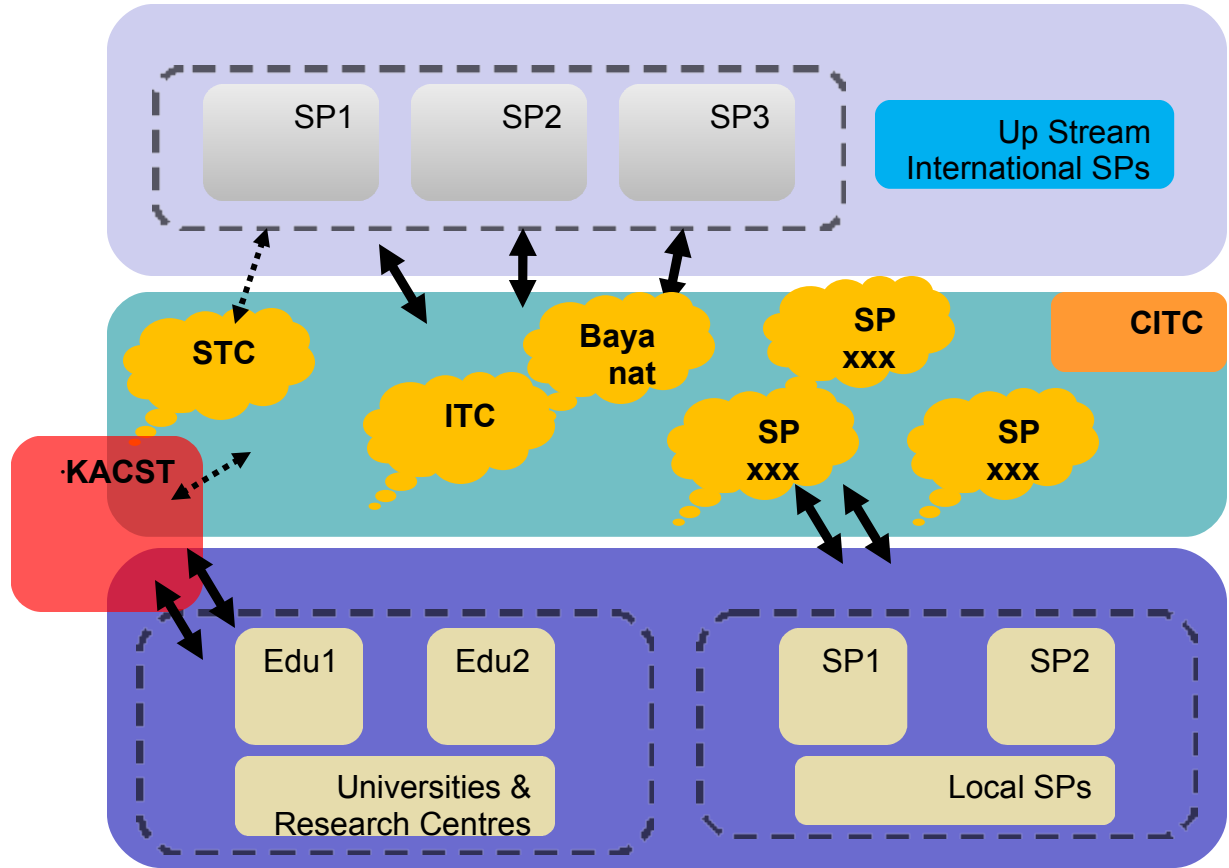


Current Internet structure

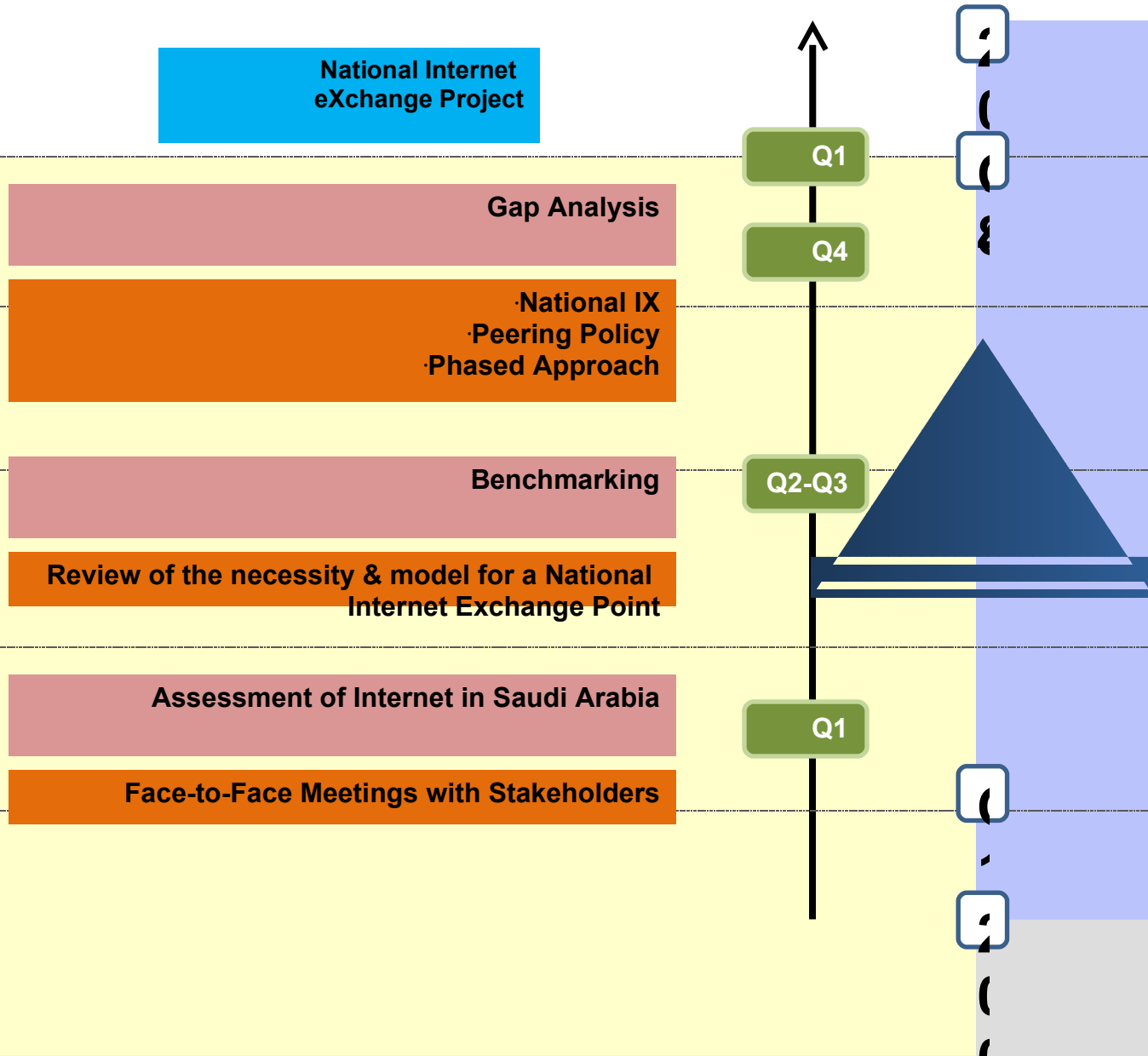


- Currently no national/local peering between DSPs
- Part of the traffic is being exchanged through international link and ISPs

- Local ISPs connected to different SPs may exchange traffic using international links and peering between International Service Provider outside KSA
- In current environments some interconnections exist between SP



National Internet eXchange Project

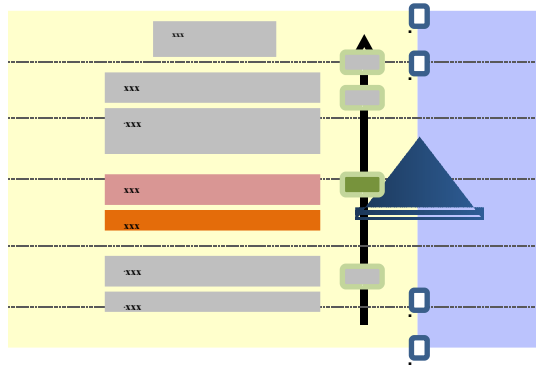


Benchmark



✚ Benchmarking Over 15 countries;

✚ Neutrality was a key issue



Ownership	Growth potential	Ease of initiation	Neutrality	Competence level
University / Research				
Non-profit ISP Association				
Governmental/ Institutional				
Private ISP ownership				
Incumbent Telco				
Telehousing Companies Telecom Hotel				

Legend:

Highest Score

Lowest Score



National Internet eXchange Project (IX.SA)



Objective

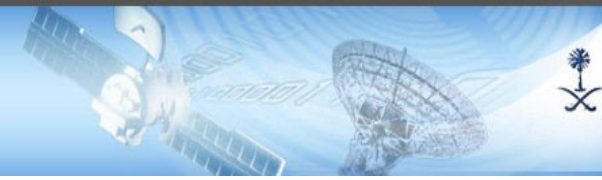
- ✚ Keep the national internet traffic locally;
- ✚ Increase the current level of Internet services to meet national needs (security, performance, reliability and costs);
- ✚ Facilitate National Internet interconnection;
- ✚ Kick off MAY 2008



Project Scope

- ✚ Design, Build, and Operate an Internet eXchange;
- ✚ Located in **two different sites** with redundant infrastructure;
- ✚ Allow Peering for **approved Members**;
- ✚ **Secured** environment and services;
- ✚ High Availability;





- *Adequate Floor/Rack Space*
- *Redundant Power Supply*
[UPSs, Batteries, Generator]
- *Provide a neutral carrier environment*





Current Status

Members	Status
Mobily	Connected
Bayanat	Connected
ITC	Connected
Athzeeb	Connected
KACST	
STC	
Zain	
PCCW/Verizon	New License

- Soft Launch: 1/2009
- Ripe AS 47606 & IP
- Web: www.ix.net.sa
- Ready for Commissioning
- 2nd Site Work in Progress in Jeddah





Thank You



Contact

Dr. Ibraheem S. Al-Furaih
ifuraih@citc.gov.sa

